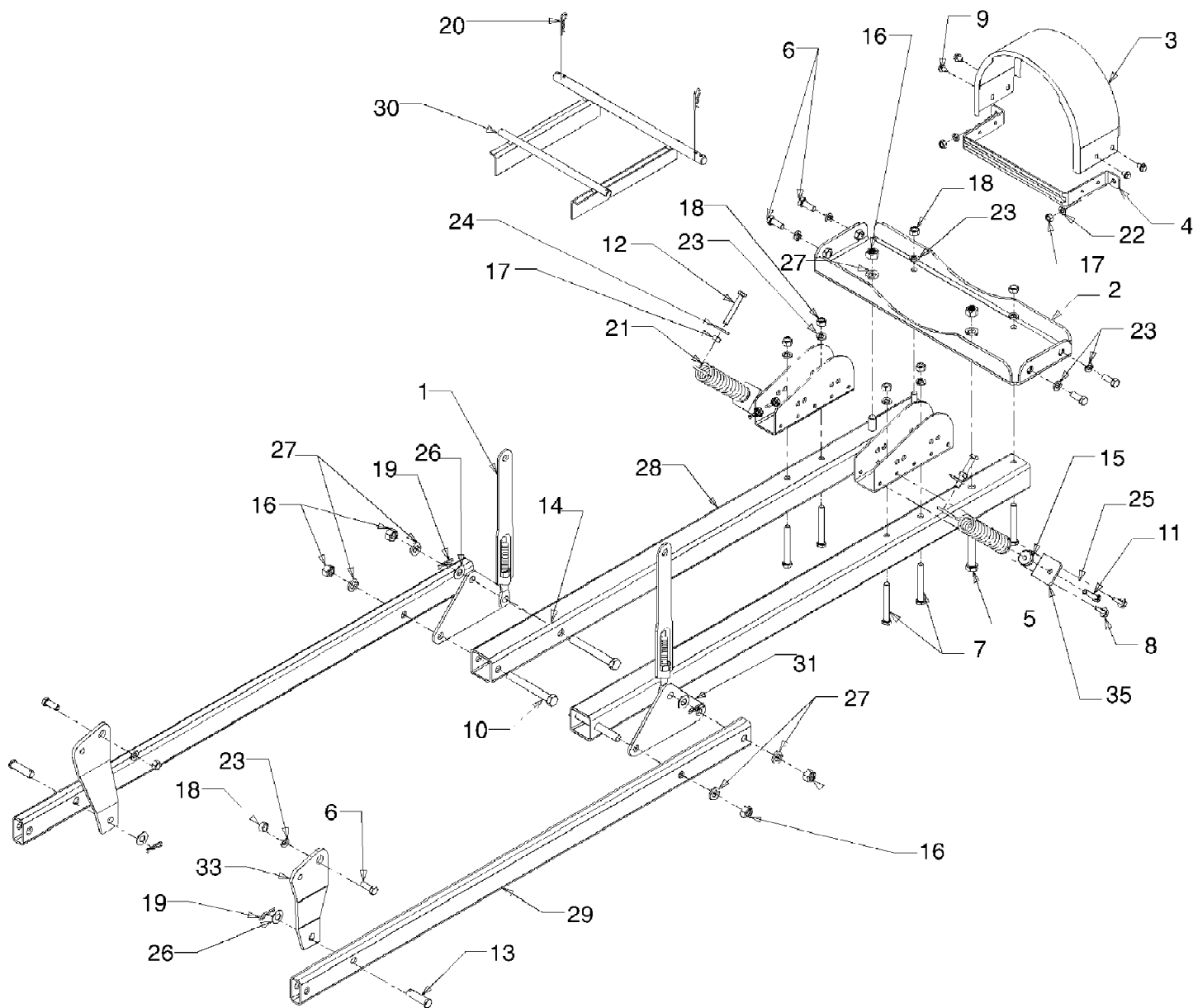


190-624-000 (1997)  
45" Snow Thrower Attachment

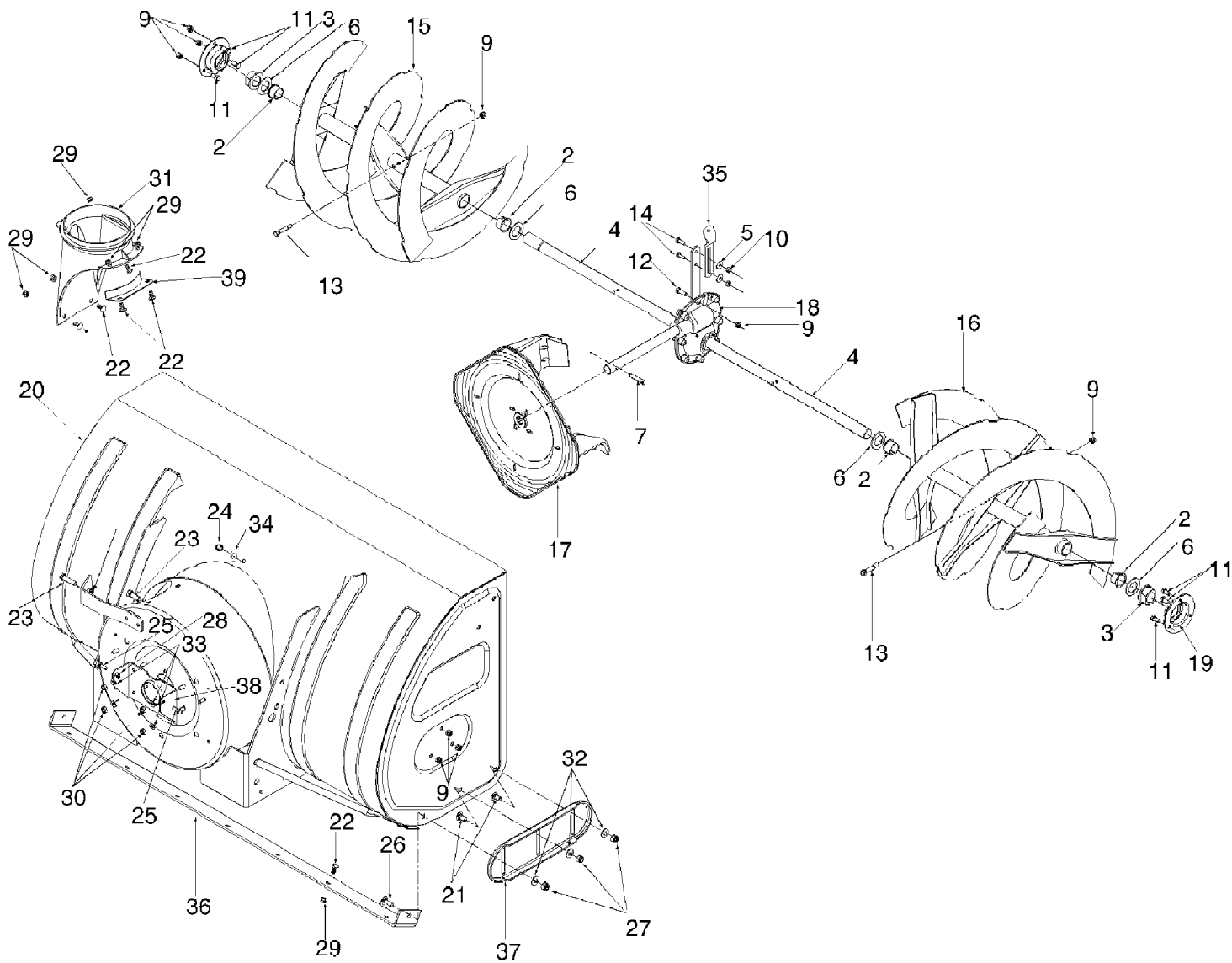


190-624-000 (1997)  
45" Snow Thrower Attachment

Page 2 of 10

Ref #	Part Number	Qty	S/P/F	Description
1	17304	2		LIFT ASM:DECK LINK:FRONT
2	684-0110	1	S	BRKT ASM:HSG
3	703-2869	1	S	CVR:BELT
4	703-2870	1		BRKT:CVR:BELT
5	710-0182	2	/P	HHCS:1/2-13:3.00:GR5:STD
	710-0409	2	/P	HHCS:5/16-24:1.75:GR5:STD
6	710-0514	6	/P	HHCS:3/8-16:1.00:GR5:STD
7	710-0521	6	/P	HHCS:3/8-16:3.00:GR8:STD
8	710-0601	4	S	HEX WASH SF TAPP SCR 5/16-18
9	710-0653	4	/P	SCR:TT:1/4-20:.375:HXINDWSH
10	710-0786	4	/P	HHCS:1/2-13:4.00:GR5:STD
11	710-0959	2	/P	HHCS:5/16-18:1.50:GR5:SPEC
12	710-3073	2	S	HHCS:5/16-18: 2.50:GR5:STD
13	711-0231	6	S	PIN:CLV:.50 DIA X 1.59 LG
14	711-0332	2	S	PIN:CLV:.50 DIA X .78 LG
15	711-0509	2		INS:SPRG
16	712-0206	6	S	NUT:1/2-13:GRA:HX
17	712-3010	4	S	NUT:5/16-18:GRB:HX
18	712-3017	8	S	NUT:3/8-16:GRB:HX
19	714-0101	8	S	PIN:COT:INT .08 X 1.42
20	714-0147	2		PIN:COT:.125 X 1.75 INTERNAL
21	732-0813	2		SPR:EXTN:1.25 OD X 7.25
22	736-0119	2	S	WASH:LOCK:5/16:REGULAR DUTY
23	736-0169	12	S	WASH:LOCK:3/8:REGULAR DUTY
24	736-0231	2	S	WASH:FL: .344 ID X 1.125 OD
25	736-0242	2	/P	WASH:BELVL:.340 ID X .872 OD
26	736-0272	8	S	WASH:FL:.510 X 1.00 X .060
27	736-0921	6	S	WASH:LOCK:1/2:REGULAR DUTY
28	750-1057	2		TUBE:LIFT:2.0 X 2.0 X 42.0
29	750-1059	2		TUBE:LIFT:1.0 X 2.0 X 43.0
30	784-5148A	1	S	GUIDE BRACKET ASSY
31	784-5199	2	S	BRKT:LIFT PLATE
?32	784-5203	1	S	BRKT:HNGR:RR LH
33	784-5204	1		BRKT:HNGR:RR RH
?34	784-5211B	2	/P	BRKT:IDLR:SUPT
35	784-5686	2	S	BRKT:SPR:MT

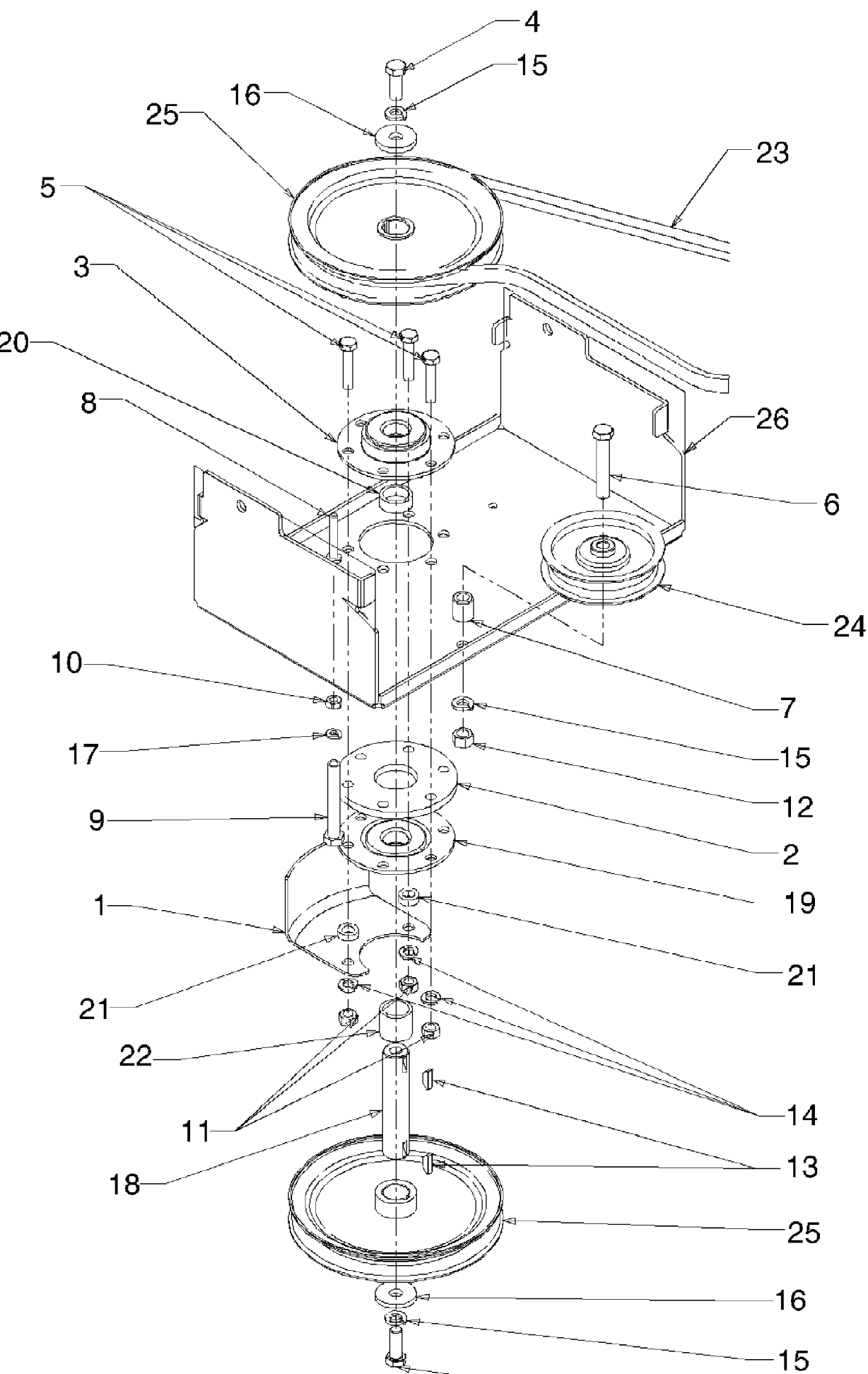
190-624-000 (1997)  
Blower Assembly



190-624-000 (1997)  
Blower Assembly

Page 4 of 10

Ref #	Part Number	Qty	S/P/F	Description
?1	784-5710	1	S	PLT:SUPT
2	741-0494	4		BUSH:FLG:1.05 ID X 1.16 OD
3	741-0192	2		BRG:FLG:W/FLATS
4	738-0492	1		SPIRAL AXLE 1.00 X 44.12
5	736-0270	2	/P	WASH:BELL:.265 X.75 X .062
6	736-0250	4	/P	FL-WASH 1.00 ID X 1.75 OD X .1
7	715-0118	1	S	SPRING PIN SPIR 5/16 DIA X 1.7
9	712-0429	9	S	NUT:HX:5/16-18:GRC:LOCK
10	712-0138	2	S	NUT:1/4-28:GRA:HX
11	710-3025	6	/P	HHCS:5/16-18:.625:GR5:STD
12	710-3008	1	/P	HHCS:5/16-18:.75:GR5:STD
13	710-0891	2	/P	SHEAR BOLT 5/16 - 18 X 1-3/4
14	710-0412	2	/P	HHCS:1/4-28:.75:GR5:STD
15	684-0073	1	/P	SPRL ASM:LH:16"
16	684-0072	1	/P	SPRL ASM:RH
17	684-0069	1		IMPLR ASM:16"
18	618-0244	1	S	GEAR ASM:AUGER
19	05845A	2	S	HSG:BRG:1.50 DBL-T
20	684-0068	1	S	HSG ASM:SPRL:45"
21	710-0389	4	/P	CARRIAGE BOLT 3/8-16 X .75
22	710-0451	12	/P	BOLT:CAR:5/16-18:.75
23	710-0520	2	/P	HHCS:3/8-16:1.50:GR5:STD
24	710-0726	1	/P	SCR:AB:5/16-12:0.750:HXINDWSH
25	710-3015	2	/P	HHCS:1/4-20:.75:GR5:STD
26	710-3168	2	/P	BOLT:CARR:3/8-16
27	712-0130	8	/P	NUT:HX:3/8-16:GRC:LOCK
28	712-0324	2	/P	NUT:HX:1/4-20:GRC:LOCK
29	712-0429	12	S	NUT:HX:5/16-18:GRC:LOCK
30	712-3010	4	S	NUT:5/16-18:GRB:HX
31	731-1696	1	S	CHUT:ADAP:6" DIA
32	736-0105	6	/P	WASH:SPR:.401 X .870 X .063
33	736-0119	4	S	WASH:LOCK:5/16:REGULAR DUTY
34	736-0242	1	/P	WASH:BELVL:.340 ID X .872 OD
35	784-5076	1	S	GEAR HOUSG.SUPP.BRKT
36	784-5696	1	S	PLT:SHAVE
37	784-5697	2		SHOE:SKID
38	784-5703	1	S	BRKT:MT:BRG
39	784-5711	1	S	BRKT:CHUT:6.0

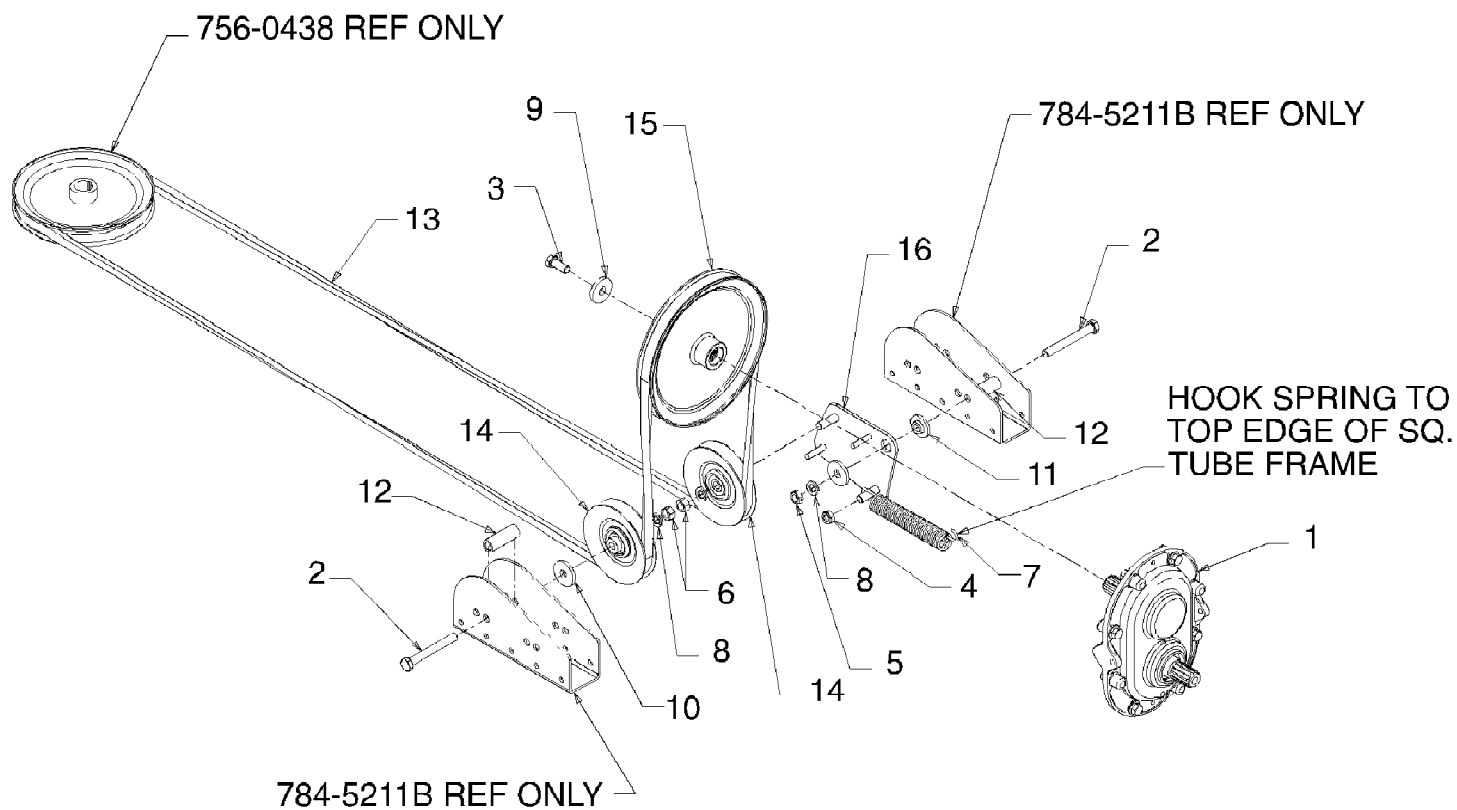


190-624-000 (1997)  
Carriage Assembly

Page 6 of 10

Ref #	Part Number	Qty	S/P/F	Description
1	05406	1	S	BELT GUARD
2	14088B	1	S	PLT:SPDL:SPCR
3	15297A	1	/P	OPEN BRG. HOUSING 1.85
4	710-0591	2	/P	HHCS:3/8-24:1.00:GR5:LOCK
5	710-0624	3	/P	HHCS:5/16-24:1.50:GR5:STD
6	710-0756	1		HHCS:3/8-16:2.25:GR2:STD
7	711-0396	1	/P	SPCR:.385 X .623 X .750 LG
8	711-0747	1	S	PIN:GDE:.250 DIA X 1.68 LG
9	711-0793	1		PIN:CLEVIS:.375 DIA X 2.63 LG
10	712-0107	1	S	NUT:LOCK:1/4-20
11	712-0123	3	/P	NUT:5/16-24:GRA:HX
12	712-0798	1	/P	NUT:3/8-16:GRA:HX
13	714-0161	2	S	KEY:HI-PRO 3/16 X 5/8
14	736-0119	4	S	WASH:LOCK:5/16:REGULAR DUTY
15	736-0169	3	S	WASH:LOCK:3/8:REGULAR DUTY
16	736-0247	2	/P	FLAT WASHER .406 ID X 1 1/4 OD
17	736-0329	1	S	WASH:LOCK:1/4:REGULAR DUTY
18	738-0680	1	S	SHAFT- .787 DIA X 3.81 LG.
19	741-0163A	1	/P	HSG ASM:BEARING
20	750-0456	1	S	SPACER .790 ID X .347 LG.
21	750-0535	2	S	SPACER .378 ID X .625 OD X .22
22	750-0660	1	S	SPACER-.80 ID X 1.00 OD X .900
23	754-0229	1	S	BELT: V: 1/2 X 52.00 LG
24	756-0405	1	/P	FL-IDLER W/ FLANGES 3.75 OD
25	756-0438	2	S	PUL:V TYP:6.50 OD
26	784-5146	1	S	BRKT: CARR

190-624-000 (1997)  
Drive Assembly

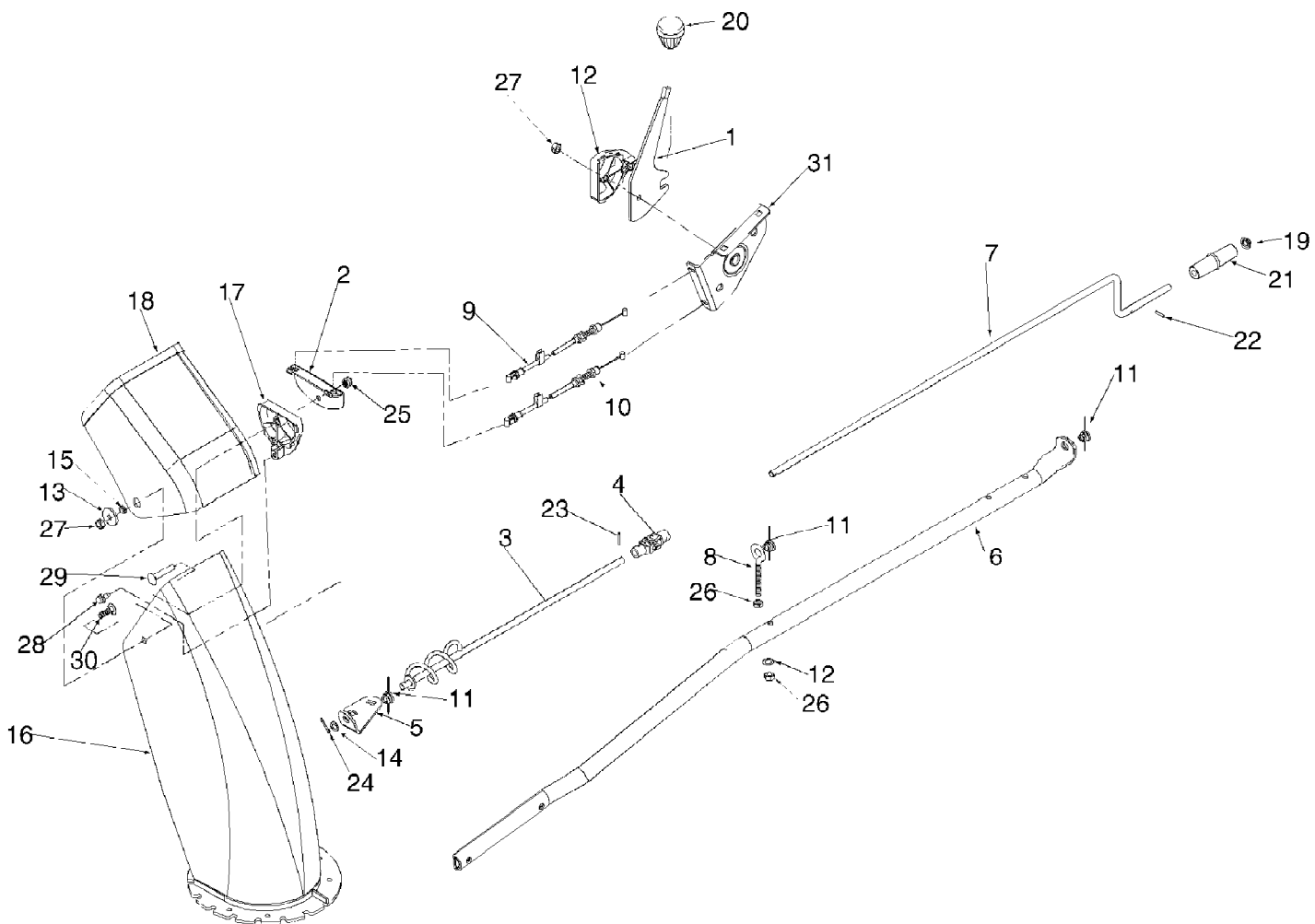


190-624-000 (1997)  
Drive Assembly

Page 8 of 10

Ref #	Part Number	Qty	S/P/F	Description
1	684-0113	1	S	BOX ASM:SPKT
2	710-0521	2	/P	HHCS:3/8-16:3.00:GR8:STD
3	710-0696	1	/P	HHCS:3/8-24:.875:GR8:STD
4	712-0116	1	S	NUT:JAM:3/8-24:INS LOCK
5	712-0266	1	S	HEX CENT L-JAM NUT 3/8-16
6	712-3017	2	S	NUT:3/8-16:GRB:HX
7	732-0491	1		SPR:EXTN:.87 DIA X 6.00 LG
8	736-0169	3	S	WASH:LOCK:3/8:REGULAR DUTY
9	736-0235	1		FL-WASH .406 ID X 1.25 OD
10	736-0247	2	/P	FLAT WASHER .406 ID X 1 1/4 OD
11	738-0347	1	S	SHLD SPACER .625 ID X .169
12	750-0668	2		SPACER .32 ID X .625 OD X 1.74
13	754-0458	1	S	BELT:V TYP:A SECT X 126.0 POLY
14	756-0487	2	/P	V-BELT IDLER-.38 ID X 4.0 DIA
15	756-0496	1		PUL:DR:7.00 DIA
16	784-5200	1		BRKT ASM:IDLR





190-624-000 (1997)  
Upper Chute & Chute Controls

Page 10 of 10

Ref #	Part Number	Qty	S/P/F	Description
1	784-5604	1	S	HNDL:TILT:CHUTE
2	784-5594	1		CABLE BRACKET
3	784-5401	1	S	CHUTE CRANK ASSY 18.0 LG - RH
4	784-5149	1	S	BLOCK ASS:JOINT
5	784-5123	1	S	CHUTE CRANK BRACKET
6	749-3072	1		TUBE:SUPT:CRANK
7	747-0931	1	S	ROD:CRK:CHUT .380 DIA X 28.0 LG
8	747-0481A	1	/P	EYE BOLT 5/16-18 X 3.0 LG
9	746-0903	1	S	CBL:CHUTE:W/CULP, 66 LG
10	746-0902	1	S	CBL:CHUTE 66 LG
11	741-0475	3	S	PLASTIC BUSHING .380 ID
12	736-0242	2	/P	WASH:BELVL:.340 ID X .872 OD
13	736-0231	1	S	WASH:FL:.344 ID:1.125 OD:.12
14	736-0140	1	S	FL-WASH .385 ID X .62 OD X .06
15	731-1319	1	S	SPCR:CHUT:PIVOT
16	731-1318	1	S	CHUT:LWR:EXTENDED 6" DIA
17	731-1313B	2	S	GDE:CBL:CHUTE TILT
?18	731-0849	1	S	6" DIA UPPER CHUTE
19	726-0100	1	S	CAP:PUSH X 3/8 ROD
20	720-0232	1	S	KNOB:SHFT:1.60 OD X 1.56
21	720-0201A	1	/P	KNOB:CRK:1.00 DIA X 3.2 CHUTE
22	715-0138	1	S	PIN:ROLL:1/8 OD :.63
23	715-0129	1		SPIROL PIN - 1/8 DIA X .812 LN
24	714-0507	1	S	PIN:COT:3/32 X .750
25	712-0429	1	S	NUT:HX:5/16-18:GRC:LOCK
26	712-0267	2	S	NUT:5/16-18:GRA:HX
27	712-0158	2	S	NUT:LOCK:5/16-18:CEN
28	710-0896	1	/P	SCR:1/4-14:.625:HXINDWSH
29	710-0458	1	/P	CARRIAGE BOLT 5/16-18 X 1.75
30	710-0276	1	/P	SCR:CARR:5/16-18:1.00
31	603-0302	1	S	ASM:CHUTE TILT BRKT